

## CHAPTER 1

# INTRODUCTION

The PCCOM PCI bus 4 port with isolator adapter is an 32 bits PCI bus board with Plug and Play (PnP) features, it provides four asynchronous serial communication ports (RS232, RS422/RS485), which link the computer and serial peripheral devices such as terminals, modems, serial printers, plotters, ... etc. The on board isolator can isolate voltage up to 2500V r.m.s..

The PCCOM PCI bus 4 port adapter is particularly suited to facilitate the connection of terminals (VDUs) in multi-user operating systems. The PCCOM board may be installed in any Pentium or hardware compatible systems. The PnP features let hardware configuration for IRQ and I/O address is detected by BIOS automatically, you don't need set switch and jumper.

Since most of the computer has its own COM1 and COM2, the PCCOM PCI bus 4 port adapter can be configured from COM4.

On board ST16C554 chip provides four 16550 functions which contains 16 bytes FIFO buffer for each 16550 ports. There are two kinds of mode can be choose, one is normal speed mode that its baud rate up to 115200, another is high speed mode that its baud rate up to 460K.




 **The features of the PCCOM PCI bus 4 port adapter are:**

- 32 bit PCI bus with Plug and Play (PnP) features.
- Four RS232 ports or RS422/RS485 ports for asynchronous communications.
- Provides isolator function, which can isolate voltage up to 2500V r.m.s..
- Suitable for SCO UNIX, Linux, MS/DOS, WINDOWS NT/2000/XP, WINDOWS 95/98/ME, OS/2... etc.
- Pentium hardware compatibles.
- Baud rate up to 115200 for normal speed mode and up to 460K for high speed mode.
- Provides 16550 port that contains 16 bytes FIFO for each port.
- Up to 4 boards be installed in one computer system.
- Software compatible with PCCOM98/2000.
- Operating temperature 0 to 60 °C.
- Storage temperature -20 to 70 degree °C.
- Humidity 5% to 95% in non-condensing.



## CHAPTER 2

### **UNPACKING INFORMATION**

 **Check that your PCCOM package includes the following items:**

- PCCOM PCI bus 4 port adapter, select one of the follows:
  1. RS232 board.
  2. RS422/RS485 board.
- Expansion cable with standard 25 pin connectors or 9 pin connectors.
- User manual.
- Decision Studio CD for PCCOM software.
- Warranty form.

## CHAPTER 3

# SYSTEM REQUIREMENTS

 **Before installing your PCCOM PCI bus 4 port adapter, make sure that:**

- The host computer is a Pentium or its compatibles.
- The switch and the jumpers are properly configured.
- The operating system you intend to use is capable of driving multiple serial ports.

**CHAPTER 4****HARDWARE INSTALLATION**

Your PCCOM PCI bus 4 port adapter is designed to be inserted in any available PCI slot in your Pentium or compatibles. You must plug this board to your computer before installing PCCOM software. In order to gain access to the expansion slots, follow the steps listed below:

1. Turn off all power to your computer and all peripheral devices before installing your PCCOM PCI bus 4 port adapter.
2. Remove the cover of the computer.
3. Insert the PCCOM PCI bus 4 port adapter into any available PCI slot. Make sure the adapter is firmly seated in the chosen slot.
4. Replace the cover of the computer.
5. Connect cables to D25 or DB9 connectors as required.
6. Turn on the power of your computer.

## CHAPTER 5

### **SWITCH AND JUMPER SETTING**

The Plug and Play features let hardware configuration for IRQ and I/O address is detected by BIOS automatically, so that it need not switch and jumper setting. However if you need to change RS422 or RS485 mode, you need to set the jumpers, the on board switch also can be used to identify card number by the users (if you do not set the switch, the PnP BIOS will assign card number automatically).

#### **JP1 (Jumper 1)**

Select high speed mode or normal speed mode.

#### **JP2,JP3,JP4,JP5 (Jumper 2,3,4,5)**

Set for RS232 RTS&CTS loopback only. To short pin 2 and pin 3 is used for normal operating. Please do not change those jumpers.

#### **JP6,JP7,JP8,JP9 ,JP10,JP11,JP12,JP14 (Jumper 6 to 12 and 14)**

Set to RS422 or RS485 mode.

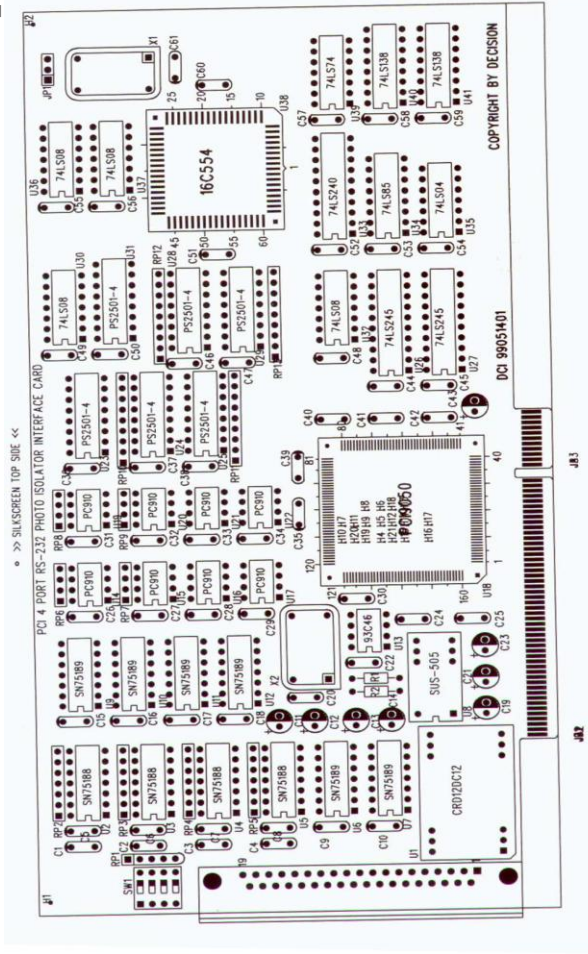
#### **SW1 (Switch 1)**

Identifies card number.

Under the RS485 mode, all the RS485 Ports are set to receive mode automatically, while one port use to send data to the other port, it needs to set RTS signal to 1, to enter driver mode, then send message or data. After sending message, it needs to set signal to 0 to enter receive mode again.



# DECISION Computer International Ltd.





**1. Select High Speed or Normal Speed Mode**

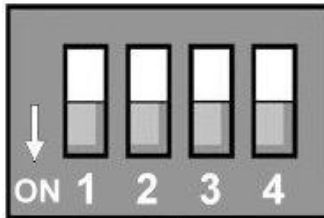
**JP1**



The JP1 is used to select high-speed mode or normal speed mode, the clock is 7.3728MHZ for high speed mode, and 1.8432MHZ for normal speed mode. For high speed mode, the baud rate speed up to 460K.

Pin	Clock Rate	Mode
Short 1,2	1.8432MHZ	Normal Speed
Short 2,3	7.3728MHZ	High Speed

**2. Card Identifier**



The switch is used to identify card number, default setting is card 15, and there are two methods to set the card number:

**a. PnP mode**

Just plug in PCCOM PCI bus 4 port adapter into PCI slot, the PCI BIOS will allocate I/O address to each adapter automatically and assign card number start from 0 to each adapter. [You may set any](#)

card number at PnP mode, and you need use software tools to distinguish port id. Almost all of the operating systems run at PnP mode..

**b. manual mode**

Set card number by card identifier switch, the PCI BIOS will assign pre-allocated I/O address to each adapter. Please set different card number to each adapter (do not duplicate card number setting).

1	2	3	4	Card Number
OFF	OFF	OFF	OFF	15
ON	OFF	OFF	OFF	14
OFF	ON	OFF	OFF	13
ON	ON	OFF	OFF	12
OFF	OFF	ON	OFF	11
ON	OFF	ON	OFF	10
OFF	ON	ON	OFF	9
ON	ON	ON	OFF	8
OFF	OFF	OFF	ON	7
ON	OFF	OFF	ON	6
OFF	ON	OFF	ON	5
ON	ON	OFF	ON	4
OFF	OFF	ON	ON	3
ON	OFF	ON	ON	2
OFF	ON	ON	ON	1
ON	ON	ON	ON	0

☞ The card number starts from 0 to 15.

### 3. Set to RS422 or RS485 mode

The JP6 to JP12 and JP14 are used to set RS422 or RS485 mode for each port. Where JP6 and JP7 are used to set port 1, and JP8 and JP9 are used to set port 2, ... etc. Please see the setting example in the below.

Port 1		Port 2		Port 3		Port 4		Card Setting	Signal
JP6	JP7	JP8	JP9	JP10	JP11	JP12	JP14		
12	12	12	12	12	12	12	12	RS-422	Rx
23	23	23	23	23	23	23	23	RS-485	Tx / Rx

Rx - Receive

Tx \ Rx - Transmit and Receive

## CHAPTER 6

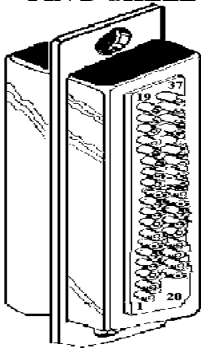
# RS232 CABLING INFORMATION

### 6.1 DB25 Connector

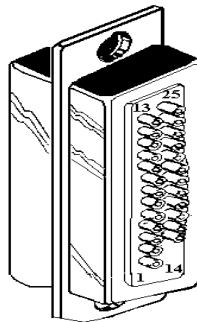
The communication interface follows the EIA RS232 standard. The signal assignments for a standard DB25 connector are shown below:

DB25 Pin #	Signal Name	RS-232C Name	Signal Direction
1	Chassis Ground(GND)	AA	Common
2	Transmit Data(TxD)	BA	Output
3	Receive Data(RxD)	BB	Input
4	Request to Send(RTS)	CA	Output
5	Clear to Send(CTS)	CB	Input
6	Data Set Ready(DSR)	CC	Input
7	Signal Ground(SG)	AB	Common
8	Data Carrier Detect(DCD)	CF	Input
20	Data Terminal Ready(DTR)	CD	Output
22	Ring Indicator(RI)	CE	Input

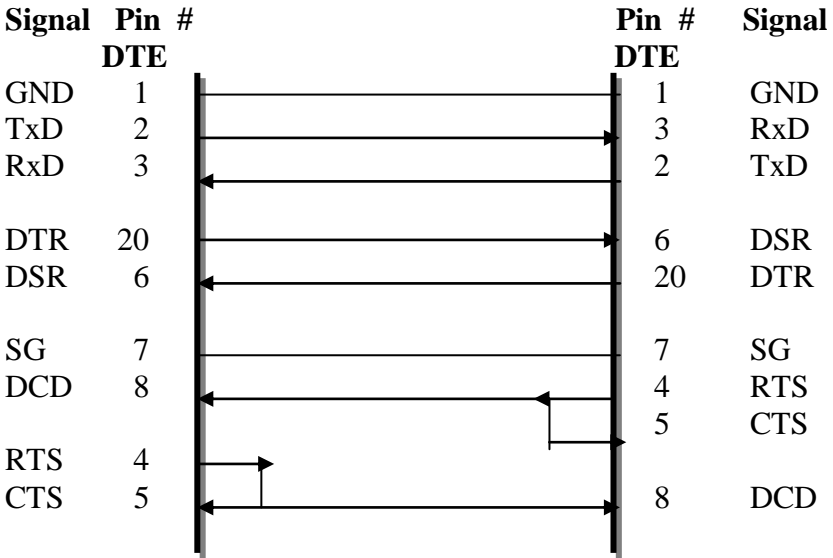
37 – PIN D-SHELL



25 – PIN D-SHELL



To connect the PCCOM 4 port adapter to other DATA TERMINAL EQUIPMENT (DTE) devices, we recommend using a DTE to DTE connection as shown below:



### 6.2 Null Modem Connections: RS232

If the software supplier or operating system does not specify a particular cable configuration, we recommend you use the following “null modem” cable when XON/XOFF is utilized.

HOST	REMOTE
2	3
3	2
4	4
5	5
6	6
7	7
8	8
20	20

If hardware handshaking is necessary, use the following cable:

HOST	REMOTE
2	3
3	2
4	4
5	5
6	20
7	7
8	8
20	6

Some serial devices have the buffer control signal on pin 19, in which case pin 6 on the host is connected to pin 19 on the remote device.

### 6.3 Modem Connections

A straight through cable is required, e.g. pin 2 to pin 2, pin 3 to pin 3, etc.

HOST	REMOTE
2	2
3	3
4	4
5	5
6	6
7	7
8	8
20	20

### 6.4 DB9 Connector

The signal assignments for a standard DB9 connector are shown below:

Pin #	DB9 Signal Name	RS-232C Name	Signal Direction
1	Data Carrier Detect(DCD)	CF	Input
2	Receive Data(RxD)	BB	Input
3	Transmit Data(TxD)	BA	Output
4	Data Terminal Ready(DTR)	CD	Output
5	Signal Ground(SG)	AB	Common
6	Data Set Ready(DSR)	CC	Input
7	Request to Send(RTS)	CA	Output
8	Clear to Send(CTS)	CB	Input
9	Ring Indicator(RI)	CE	Input

## CHAPTER 7

# RS422/RS485 CABLING INFORMATION

### 7.1 RS422 Cabling Information for DB25

The communication interface follows the EIA RS422 standard. The signal assignments for a standard DB25 connector are shown below:

Pin	Description
1	Chassis Ground
2	Transmit Data+(TxD+)
3	Receive Data+(RxD+)
4	Request to Send+(RTS+)
5	Clear to Send+(CTS+)
6	Receive Data-(RxD-)
7	Signal Ground(SG)
8	Request to Send-(RTS-)
9	Clear to Send-(CTS-)
20	Transmit Data-(TxD-)



To connect the RS422 to other DATA TERMINAL EQUIPMENT (DTE) devices, the developers recommend using a DTE to DTE connection as shown below.

HOST	REMOTE
Ground	Ground
Signal Ground	Signal Ground
Transmit Data(+)	Receive Data(+)
Receive Data(+)	Transmit Data(+)
Transmit Data(-)	Receive Data(-)
Receive Data(-)	Transmit Data(-)
Request to Send(+)	Clear to Send(+)
Clear to Send(+)	Request to Send(+)
Request to Send(-)	Clear to Send(-)
Clear to Send(-)	Request to Send(-)

## 7.2 RS422 Cabling Information for DB9

The communication interface follows the EIA RS422 standard. The signal assignments for a standard DB9 connector are shown below:

Pin	Description
1	Request to Send-(RTS-)
2	Receive Data+(RxD+)
3	Transmit Data+(TxD+)
4	Transmit Data-(TxD-)
5	Signal Ground(SG)
6	Receive Data-(RxD-)
7	Request to Send+(RTS+)
8	Clear to Send+(CTS+)
9	Clear to Send-(CTS-)

### 7.3 RS485 Cabling Information for DB25

The RS485 signal assignment is shown as follows.

Pin	Description
1	Chassis Ground
2,3	Transmit Data+ / Receive Data+(TRD+)
6,20	Transmit Data- / Receive Data-(TRD-)
7	Signal Ground

The RS485 communication is based on cable sharing method, which is connected as following. Please short pin2 and pin3, pin6 and pin20 by yourself.

Computer at site 1	Computer at site 2
TRD+	TRD+
TRD-	TRD-
Ground	Ground

### 7.4 RS485 Cabling Information for DB9

The RS485 signal assignment is shown as follows.

Pin	Description
2,3	Transmit Data+ / Receive Data+(TRD+)
4,6	Transmit Data- / Receive Data-(TRD-)
5	Signal Ground

Please short pin2 and pin3, pin4 and pin6 for using RS485.

**APPENDIX A****PCCOM DIAGNOSTIC UNDER MS/DOS**

The TESTCOM is a diagnostic program, provide routines to test your PCCOM PCI 4 port serial adapter under MS-DOS. It has both internal and external loopback tests. During external loopback test, a loop back plug must be connected to each port being tested. You can also select different hardware settings during testing from the SETUP RS232 menu.

User can get TESTCOM program from Decision Studio CD.

**i** To test your PCCOM 4 port adapter under MS/DOS, please type

<b>TESTCOM</b>
----------------

The TestCom menu will appear.

Setup RS232 – is used to setup the baud rate, flow control, etc.

Internal loop test – is used to test the IC.

External loop test – is used to test the ports.

Auto – is used to test the IC and the ports of the card.

**APPENDIX B****PCCOM DEVICE DRIVER FOR MS/DOS*****B.1 PCCOM Software***

The PCCOM software is a high performance, easy to use RS232/RS422 device driver for PC/486, Pentium or compatibles. Under MS/DOS environment, you can set up your serial ports by PCCOM device driver, and these serial ports can be treated as COM1: and COM2: devices. The setup procedure provides flexible functions to specify the configuration of multi-serial card, that is, the hardware configurations of I/O port number, I/O port address, interrupt and interrupt vector are user selectable.

After the device driver is installed, It takes over communication between CPU and multi-serial cards such as four port card, eight port card, ... etc. For each I/O port, the service routine handles a ring buffer to keep track of all I/O data. Moreover, the PCCOM software provides library routines (C, PASCAL, BASIC, FoxPro) and DOS communication interface (DOS device driver, BIOS call) for several access levels.

 *For more details, please refer PCCOM manual.*

## *B.2 Software Installation*

*When the board is installed, please install software drivers as follows:*

### **STEP 1: Prepare PCI.OPT file**

*The PCI.OPT file contents are :*

```
/B:4  
/D:COM3  
/P:[:4:(2k:9600:N-8-1:RTS+DTR:XON) * 4]
```

### **STEP 2: Prepare CONFIG.SYS file**

Insert statement into CONFIG.SYS file

For normal speed

```
DEVICE = PCCOM.SYS @c:\pci.opt
```

For high speed

```
DEVICE = PCCOMH.SYS @c:\pci.opt
```

The syntax of PnP function is

```
/P:[Card_id:Portno:Port]
```

The Card\_id field is defined as 1 or 2 or 3 or 4 or nil, if you use PnP mode, just fill nil in card\_id field that like step 1, otherwise you can specify card\_id to match the card identifier switch. The Portno field is used to specify number of ports in this adapter. The Port field is defined as PCCOM V2.0.

- ☞ If more than one PCCOM board is installed, Please repeat directive /P of the step 1.

## APPENDIX C

### XENIX / UNIX CONFIGURATION

The distribution CD contains SCO UNIX driver. Our drivers also provide transparent printer features that let user to connect local printer from auxiliary port of terminal. The PCI BIOS will assign card number automatically when you use PnP method, otherwise you can use card identifier switch to set your card number. The software installation procedures are shown is the bellows.

### *C.1 Hardware Configuration*

#### 1. First adapter

Port	Device Name	MODEM Name	Transparent Printer Name
1	/dev/ttyj11	/dev/ttyJ11	/dev/lpj11
2	/dev/ttyj12	/dev/ttyJ12	/dev/lpj12
3	/dev/ttyj13	/dev/ttyJ13	/dev/lpj13
4	/dev/ttyj14	/dev/ttyJ14	/dev/lpj14

#### 2. Second Adapter

Port	Device Name	MODEM Name	Transparent Printer Name
1	/dev/ttyj21	/dev/ttyJ21	/dev/lpj21
2	/dev/ttyj22	/dev/ttyJ22	/dev/lpj22
3	/dev/ttyj23	/dev/ttyJ23	/dev/lpj23
4	/dev/ttyj24	/dev/ttyJ24	/dev/lpj24

### 3. Third Adapter

Port	Device Name	MODEM Name	Transparent Printer Name
1	/dev/ttyj31	/dev/ttyJ31	/dev/lpj31
2	/dev/ttyj32	/dev/ttyJ32	/dev/lpj32
3	/dev/ttyj33	/dev/ttyJ33	/dev/lpj33
4	/dev/ttyj34	/dev/ttyJ34	/dev/lpj34

### 4. Fourth Adapter

Port	Device Name	MODEM Name	Transparent Printer Name
1	/dev/ttyj41	/dev/ttyJ41	/dev/lpj41
2	/dev/ttyj42	/dev/ttyJ42	/dev/lpj42
3	/dev/ttyj43	/dev/ttyJ43	/dev/lpj43
4	/dev/ttyj44	/dev/ttyJ44	/dev/lpj44

## C.2 Software Installation

**[i]** The installation procedure for the device drivers is described as follows:

- ❶ Login as a root user.
- ❷ Insert distribution CD (which contains device drivers) into CD-ROM drive d:, then copy the files from the distribution CD to a temporary directory.

```
#cd /
# doscp d:dc.tz ./dc.tar.Z
# zcat dc.tar / tar xvfp -
```



- ③ To install device drivers, please type:

```
#cd /usr/sys/pccom/dc  
# ./install
```

- ④ Reboot the system. Now, your new UNIX system that includes device drivers is activated.
- ⑤ Enable each terminal by using the **enable** command.

```
# enable ttyj11  
# enable ttyj12  
.  
.
```

- ⑥ Connect each terminal to connector.

#### NOTE:

- ① If the new system fails to reboot, please boot the original system. When system is boot, please press return key to halt autoboot, then type

```
:unix.old
```

- ② To remove device driver from UNIX, please type

```
a. login as a root user  
b. # cd /usr/sys/pccom/dc  
c. Remove PCCOM Driver from the kernel  
#!/ remove
```

- ③ After installation, please enable each port by **enable** command and disable port by **disable** command.

```
#disable ttyj11
```

- ④ To change baud rate, please update /etc/inittab and /etc/conf/cf.d/init.base files.

### C.3 Option for High Speed

The configuration of High-Speed Baud Rate card is change as follows:

Original	Extensible
50	14.4 K
75	28.8 K
110	57.6 K
134	76.8 K
150	115.2 K
200	153.6 K
300	230.4 K
600	460.8 K
1200	1200 (unchanged)
2400	2400 (unchanged)
4800	4800 (unchanged)
9600	9600 (unchanged)
EXTA	19200 (unchanged)
EXTB	38400 (unchanged)



The lpx command is used to adjust the time interval for TTY or TP data and the TP protocol.

**lpx [option] device name**

• **option:**

- t number: set interval for TTY
- l number: set interval for Transparent Printer
- n string: set esc string to turn on printer
- f string: set esc string to turn off printer
- T : get interval for TTY
- L : get interval for Transparent Printer
- N : get esc\_string to turn on printer
- F : get esc\_string to turn off printer

• **device\_name : lpXYY**

The range of interval reserved for TTY or TP channel is from 1 to maximum integer. The default setting for any /dev/lpXYY is as follows:

Interval for TTY : 50  
 Interval for TP : 1  
 PRINT - ON escape : "\033[5i" (ESC[5i)  
 PRINT - OFF escape : "\033[4i" (ECS[4i)

☞ **The examples to invoke lpx**

- ❶ Set 60 time slices reserved for /dev/ttyj11

```
# lpx -t 60 /dev/ttyj11
```

- 2 Set 2 time slices reserved for /dev/lpj11

```
# lpx -12 /dev/lpj11
```

- 3 Get the time slices reserved for /dev/lpj11

```
# lpx -L /dev/lpj11
```

- 4 Set PRINT-ON string for /dev/lpj11

```
# lpx -n "\033[51" /dev/lpj11
```

- 5 Get PRINT-OFF string for /dev/lpj11

```
# lpx -F /dev/lpj11 \033[4i
```

## APPENDIX D

# WINDOWS95/98 CONFIGURATION

Welcome to the Decision PCCOM PCI cards series. This series enables you to utilize the built in plug and play functionality of Windows 95/98, combined with the power of PCI based serial communication.

### *D.1 Installation*

1. For optimum PnP functionality, please install one card at a time.
2. Unplug your PC, open it and install one Decision PCCOM PCI card.
3. Start your computer and wait until Windows 95/98 is loaded.
4. Windows 95/98 will detect the new PCI card that is installed in your computer, and will prompt you for a proper driver.
5. Insert the device driver CD into your computer, and make sure Windows 95/98 finds the drivers by eventually browsing through the directory structure of the CD.
6. After installing the core device drivers for the PCI card, Windows 95/98 will detect and install software for each COM port on the card. This may take 5 to 10 seconds per port.
7. After Windows 95/98 has detected and configured all ports, you may begin using the PCI card. To verify that the installation process completed successfully, please proceed into the Control Panel / System / Device Manager.
8. Locate the additional COM ports in the ports section.

☞ If you need install more than one card, please run above procedure again. Never try to install 2 or more cards at the same time for you will have errors in installation.

## *D.2 Remove Ports*



1. Go to [Control Panel Applet]\[System]\[Device Manager]\[Ports].
2. Select the port you want to remove then press “Remove” to delete specified port. Reboot for changes to take effect.



## APPENDIX E

# WINDOWS2000 CONFIGURATION

Welcome to the Decision PCCOM PCI cards series. This series enables you to utilize the built in plug and play functionality of Windows 2000, combined with the power of PCI based serial communication. During the boot-up of Windows 2000 the hardware will be automatically detected by the WINDOWS 2000, just ignore this dialog box by clicking **cancel** and during login, use the administrator user name for installation

### *E.1 Installation*

1. For optimum PnP functionality, please install one card at a time.
2. Unplug your PC, open it and install one Decision PCCOM PCI card.
3. Start your computer and wait until Windows 2000 is loaded.
4. Windows 2000 will detect the new PCI card that is installed in your computer, and will prompt you for a proper driver.
5. Insert the device driver CD into your computer, and make sure Windows 2000 finds the drivers by eventually browsing through the directory structure of the CD.
6. After installing the core device drivers for the PCI card, Windows 2000 will detect and install software for each COM port on the card.
7. After Windows 2000 has detected and configured all ports, you may begin using the PCI card. Inside the Control Panel, you will see the Icon of **Decision PCCOM Adapters**, indicating that the driver has been successfully installed..
8. Double click the Icon **Decision PCCOM Adapters**, another window will appear on screen and will display an installed card with corresponding COM port.



☞ If you need install more than one card, please run above procedure again. Never try to install 2 or more cards at the same time for you will have errors in installation.

## ***E.2 Remove Ports***

1. Go to [Control Panel Applet]\[Decision PCCOM Adapters].
2. Select the port you want to remove then press “Remove Port” to delete specified port. Reboot for changes to take effect.

## APPENDIX F

### WINDOWS/NT CONFIGURATION V3.5 up

Welcome to the Decision PCCOM PCI cards series. This series enables you to utilize the built in plug and play functionality of Windows NT, combined with the power of PCI based serial communication.

#### *F.1 Installation*

1. For optimum PnP functionality, please install one card at a time.
2. Unplug your PC, open it and install one Decision PCCOM PCI card.
3. Start your computer and wait until Windows NT is loaded.
4. Insert the device driver CD into your computer. The CD is auto run, so you just wait until Decision Studio Applet appears.
5. Click “Device Drive” button, “Windows Operating System” then a selection of windows operating system platform appears.
6. Click “Windows NT” button to view the device list of different hardware products.
7. Select “PCCOM Multi Port Serial Card”. Install Shield will do installation, for you just click “Next” When windows prompts you to resume installation procedure.
8. To configure, go to [Control Panel]\[Decision PCCOM Adapters]. Click the “+” of the card you want configure, then select which COM port you want to set.

#### *F.2 Remove Ports*

Go to [Control Panel]\[Ports] then select what you want to remove and click “Delete” to remove ports.

### *F.3 Uninstall*



Enter [Control Panel]\[Decision PCCOM Adapter], and click [Completely Remove Driver].



## APPENDIX G

### OS/2 CONFIGURATION

Under OS/2 2.x and OS/2 Warp operating system, the PCCOM device driver provides total 96 ports and baud rate up to 115200. PCCOM also supports device driver for high speed card, and the baud rate can be up to 460800. The device driver works for 8250, 16450, 16550 (FIFO), 16650 etc.

#### G.1 Installation

*The installation procedures are shown in the following.*

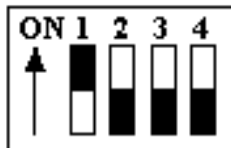
1. Add command into CONFIG.SYS file then reboot.

```
DEVICE=C:\PCCOM4PC.SYS[/Cxx] [/Syy] [/4]
```

- xx Assign the first port name (1 to 92)
- yy The switch used to set PCI card number
- 4 High speed card used only

- ☞ **If "/C" is not use, the first port is COM3.**
- ☞ **If you only install one card, you can ignore /S parameters.**
- ☞ **If you install more than one card, you must set different card number. (Please refer chapter 5)**

Switch: Set card number



- ■ ■ 2. ■ To set up communication parameters, please use the MODE.COM command from OS/2, or use PCCOM.EXE command. We highly recommend to use PCCOM.EXE command, because MODE.COM can be used only for COM1 to COM9 and for maximum baud rate to 57600.

*The PCCOM.EXE can be used to set COM1 to COM96. The syntax of PCCOM.EXE is the same as MODE.COM.*

- *For example :*

1. Set one PCI 4 port card from COM3 to COM6.

```
DEVICE=C:\PCCOM4PC.SYS
```

2. Set two cards. One card is PCI 4 port card, which is set from COM12 to COM15, and its card number is 0. One card is PCI 8 port card, which is set from COM20 to COM27, and its card number is 1.

```
DEVICE=C:\PCCOM4PC.SYS /C12/S0
DEVICE=C:\PCCOM8PC.SYS /C20/S1
```

3. Set up communication parameters.

```
C:\PCCOM COMx:38400,N,8,1,TO=OFF,XON=OFF,
IDSR=ON, ODSR=ON, OCTS=ON, RTS=OFF,DTR=OFF
C:\PCCOM COMx:115200,N,1
```

## *G.2 Utilities*

COMTEST.EXE is a general testing program for COM port. It will create the threads associated with each communication port that will be test. The testing function includes OPEN / CLOSE / READ / WRITE / Non-Destructive Read / Non-Destructive WRITE / Get Status / Device IOCTL. Due to lack of OS/2 API, Non-Destructive I/O is not support for OS/2 even this device driver has implemented this feature.

In the COMTEST program, you can use up-right arrow to choice the option, and use enter/escape to start/stop the program.

The ComSent / ComRecv are a pair of communication programs for testing the performance of communication port. You have to connect the test ports with a null modem before you test communication port. You can use PCCOM.EXE to change the parameters of communication port. Then use this program to test heavy (transmission) duty on communication port.

## *G.3 API Communication Functions*

In the following, there are API communication functions, for more detail information, please refer to Control Program Programming Ref. of OS/2, and programming Guide Vol. I-III of OS/2.



**DosClose** - Close a Handle to a File, Pipe, or Devices

```
#define INCL_DOSFILEMGR APIRET DosClose(HFILE  
FileHandle);
```



**DosDevConfig** - Get Information about Attached Devices

```
#define INCL_DOSPROCESS APIRET DosDevConfig(PVOID  
pDeviceInfo, ULONG ulDeviceType);
```

### **DosDevIOCtl** - Perform Control Function on a Device

Specified by an Opened Device Handle

```
#define INCL_DOSPROCESS APIRET DosDevIOCtl(HFILE
DevHandle, ULONG ulCategory, ULONG ulFunction, PVOID
pParmList, ULONG ulParmLengthMax, PULONG
pParmLengthInOut, PVOID pDataArea, ULONG
ulDataLengthMax, PULONG pDataLengthInOut);
```



### **DosOpen** - Open a File

```
#define INCL_DOSFILEMGR APIRET DosOpen(PSZ
pszFileName, PHFILE ppFileHandle, PULONG pActionTaken,
ULONG ulFileSize, ULONG ulFileAttribute, ULONG
ulOpenFlag, ULONG ulOpenMode, PEAOP2 ppEABuf);
```



### **DosRead** - Read from a File, Pipe, or Device to a Buffer

```
#define INCL_DOSFILEMGR APIRET DosRead(HFILE
FileHandle, PVOID pBufferAre, ULONG ulBufferLength,
PULONG pByteRead);
```



### **DosWrite** - Write to a File from a Buffer

```
#define INCL_DOSFILEMGR APIRET DosWrite(HFILE
FileHandle, PVOID pBufferArea, ULONG ulBufferLength,
PULONG pByteWritte);
```

## APPENDIX H

# LINUX CONFIGURATION

The PCCOM 4 port adapter can be installed in the Linux by using serial device driver supported by Linux. For more details, please refer to 'setserial' man-pages.

☞ *Please uncomment the appropriate lines in /etc/rc.d/rc.serial to enable auto-configuration of PCCOM PCI bus 4 port card.*

For example, uncomment the following lines for PCCOM PCI bus 4 port card.

```
${SETSERIAL} /dev/cua4 ${AUTO_IRQ}autoconfig${STD_FLAGS}  
${SETSERIAL} /dev/cua5 ${AUTO_IRQ}autoconfig${STD_FLAGS}  
${SETSERIAL} /dev/cua6 ${AUTO_IRQ}autoconfig${STD_FLAGS}  
${SETSERIAL} /dev/cua7 ${AUTO_IRQ}autoconfig${STD_FLAGS}
```



## APPENDIX I

### DIAGNOSTIC UNDER WINDOWS

After installing the PCCOM PCI 4 port adapter to your computer, you can test it if it is functioning correctly via HyperTerminal (a Windows package communication program), or by using the Decision Terminal (a software of the Decision Computer International Co. Ltd.) included on the CD. Just make sure that there is a loop back plug connected to the COM Port under test.

#### *1.1 Using Hyper Terminal*

To test the card using the Hyper Terminal. Please do the following steps:

1. Run the HyperTerminal program.
2. During connection, the program will ask you to enter your name and choose an icon for the connection. Enter any name and select any icon.
3. After entering your name and selecting icon you will be ask for country code, area code, phone number and connect using what. Ignore all edit box except for the connect using, click the combo box and select Direct to COMx (You can use any port but usually the COM1 and COM2 is used by the computer motherboard).
4. Put the proper COM x properties.
5. You can now begin to type any message. Take note that

whatever you type must appear to the textbox as long as you have a loop back on the COM port of your card

## *1.2 Using Decision Terminal*

To test the card using the Decision Terminal. Please do the following steps:

1. Install the software using the Decision Studio (It is inside the CD AutoOpen program).
2. Run the program (Decision Terminal) at the program menu of the start menu.
3. Setup the COM port properties by selecting the setup option on the File menu.
4. You can now begin to type any message to transmit textbox. Take note that whatever you type must appear to receive textbox as long as you have a loop back on the COM port of your card.
5. You can also click the Test button to test your card automatically.

**APPENDIX J****SOFTWARE DEVELOPMENT  
INFORMATION**

In the Decision Studio CD, it contains PCCOM device driver for WINDOWS 3.1/95/98/2000/NT/ME/XP, DOS, OS/2, UNIX, Linux, and the development tools for serial communication and telecommunication.

***J.1 PCCOM Professional***

The PCCOM Professional is the Serial Communication Software Development Tool Kits Under Windows 95/98/2000/NT/ME/XP. It contains Complete OCX and DLL Microsoft Win32 API software accessory function for application software developer. It is an easy to use tool and speed up serial communication application software development time and cost. Wide compatibility range hardware support for PCCOM multiport serial card and any standard port, and support Zmodem and Kermit file transfer protocols for ASCII, Text and Executable file.

***J.2 PCCOM RemoteCom***

The PCCOM RemoteCom is an OCX programming development tool for made application software. That will use to enhance RS-232/422 serial communication through Internet or Intranet by stand-alone program or by browser through World Wide Web (WWW) under Windows 95/98/2000/NT/ME/XP. User may call OCX functions to communicate with RemoteCOM both Server and Client using Internet communication; or encapsulate OCX function and remote serial ActiveX Control, then run development application

program under Internet browser (IE and Netscape).



### ***J.3 PCCOM TeleCom***

The PCCOM TeleCom is an OCX software accessory suitable for software engineer to develop application program under Windows 95/98/2000/NT/ME/XP environment. It really makes computer and communication application combine together. Wide compatibility range hardware support for PCCOM multiport serial card and any standard port. The PCCOM TeleCom software kit supports five major telecommunication functions, which can be used to

1. Send message to “PAGER”(BB Call).
2. Send and receive “VOICE MAIL” from computer to telephone or portable phone.
3. Send and receive E-MAIL.
4. Send and receive FAX.
5. Receive DTMF.

### ***J.4 PCCOM RemoTeleCom***

The PCCOM Remote TeleCom is an OCX programming development tool for made application software. That will use to enhance PCCOM TeleCOM functions (Pager, E-mail, Voice mail, Fax) through Internet or Intranet by stand-alone program or by browser through World Wide Web (WWW) under Windows 95/98/2000/NT/ME/XP. User may call OCX functions to communicate with Remote devices both Server and Client using Internet communication; or encapsulate OCX function and remote ActiveX Control, then run development application program under Internet browser (IE and Netscape).



## **J.5 PCCOM SCOPE**

PCCOM SCOPE is a software that monitors all the data and signals between two interacting devices, or a single device. With PCCOM SCOPE you can transform your PC into a total RS-232 analyzer without the need of expensive hardware or plug in boards. PCCOM SCOPE creates an unsurpassed tool for RS-232 device driver, communications protocol and traffic analysis.

## **J.6 REMOTE CONTROL SOFTWARE**

We also provide other hardware with complete Internet/Intranet remote control software tool for more function availability

### **Decision Industrial Interface**

The Decision Industrial Interface was created to provide a standard way to access the functionality provided by all data acquisition products.

### **Decision Industrial Control**

Develop a program controlling the Industrial digital and analog cards remotely at any part of the world using the Internet technology! Done it in your application program or via Internet browser! It extends Decision Industrial Interface from single computer development environment to client-server development environment.

### **Remote Voice**

Long distance call will not be expensive as before. There is no cheaper way to talk to your friend from another country than to talk through Internet! And the good news is that you can develop your own software with Remote sound!



**APPENDIX K****WARRANTY INFORMATION*****K.1 Copyright***

Copyright DECISION COMPUTER INTERNATIONAL CO., LTD. All rights reserved. No part of PCCOM software and manual may be reproduced, transmitted, transcribed, or translated into any language or computer language, in any form or by any means, electronic, mechanical, magnetic, optical, chemical, manual, or otherwise, without the prior written permission of DECISION COMPUTER INTERNATIONAL CO., LTD.

Each piece of PCCOM package permits user to use PCCOM only on a single computer, a registered user may use the program on a different computer, but may not use the program on more than one computer at the same time.

Corporate licensing agreements allow duplication and distribution of specific number of copies within the licensed institution. Duplication of multiple copies is not allowed except through execution of a licensing agreement. Welcome call for details.

***K.2 Warranty Information***

DECISION warrants that for a period of one year from the date of purchase (unless otherwise specified in the warranty card) that the goods supplied will perform according to the specifications defined in the user manual. Furthermore that the PCCOM product will be supplied free from defects in materials and workmanship and be fully functional under normal usage.

In the event of the failure of a PCCOM product within the specified warranty period, DECISION will, at its option, replace or repair the item at no additional charge. This limited warranty does not cover damage resulting from incorrect use, electrical interference, accident, or modification of the product.

All goods returned for warranty repair must have the serial number intact. Goods without serial numbers attached will not be covered by the warranty.

Transportation costs for goods returned must be paid by the purchaser. Repaired goods will be dispatched at the expense of PCCOM.

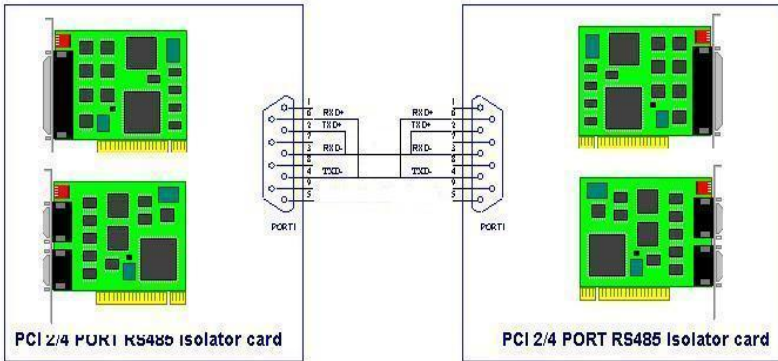
To ensure that your PCCOM product is covered by the warranty provisions, it is necessary that you return the Warranty card.

Under this Limited Warranty, DECISION's obligations will be limited to repair or replacement only, of goods found to be defective as specified above during the warranty period. DECISION is not liable to the purchaser for any damages or losses of any kind, through the use of, or inability to use, the PCCOM product.

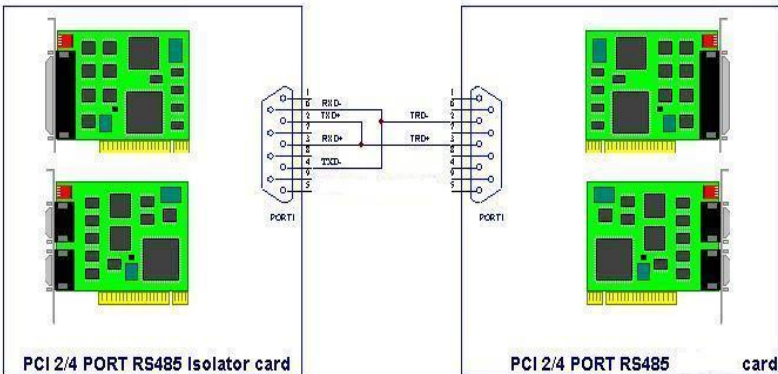
DECISION reserves the right to determine what constitutes warranty repair or replacement.

***Return Authorization:*** It is necessary that any returned goods are clearly marked with an RA number that has been issued by DECISION. Goods returned without this authorization will not be attended to.





Isolator Card to Isolator Card



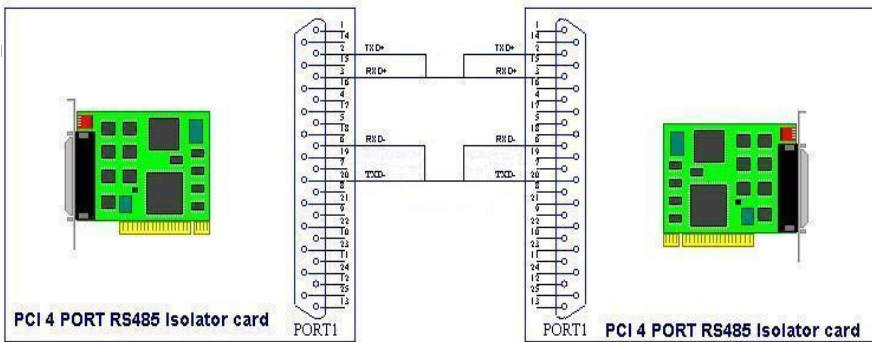
Isolator Card to Normal Card

PCI 2 PORT Jump Setting

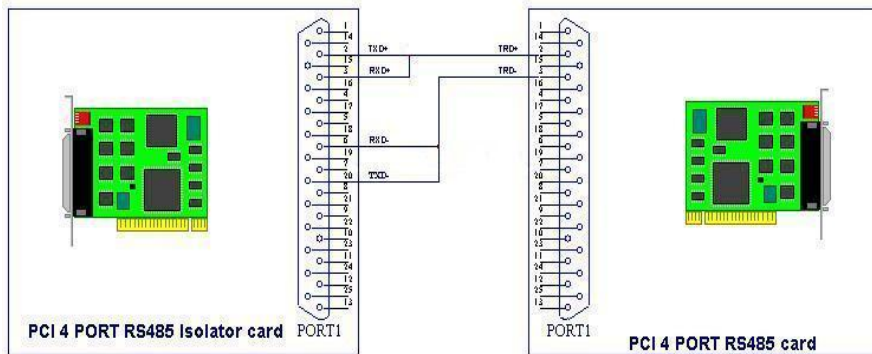
Jumper	RS422	RS485
JP1 for port 1	Short 1,2	Short 2,3
JP3 for port 2	Short 1,2	Short 2,3

PCI 4 PORT Jump Setting

Card Setting	Port 1		Port 2		Port 3		Port 4	
	JP6	JP7	JP8	JP9	JP10	JP11	JP12	JP14
RS-422	1,2	1,2	1,2	1,2	1,2	1,2	1,2	1,2
RS-485	2,3	2,3	2,3	2,3	2,3	2,3	2,3	2,3



Isolator Card to Isolator Card



Isolator Card to Normal Card

PCI 4 PORT Jump Setting

	Port 1		Port 2		Port 3		Port 4	
Card Setting	JP6	JP7	JP8	JP9	JP10	JP11	JP12	JP14
RS-422	1,2	1,2	1,2	1,2	1,2	1,2	1,2	1,2
RS-485	2,3	2,3	2,3	2,3	2,3	2,3	2,3	2,3